



Student Involvement

BUILDING REQUIREMENTS FOR BOOTHS

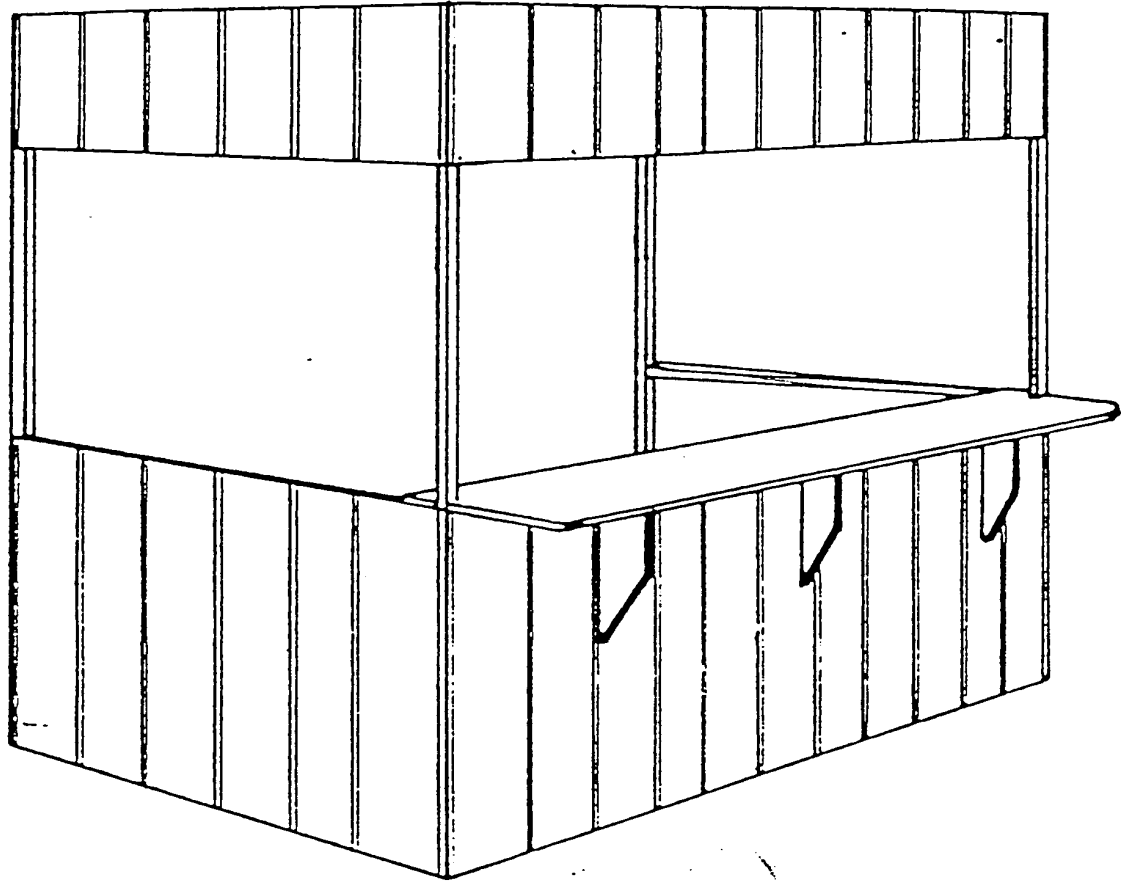
1. Size of the booth shall be limited to 6' x 8' and 8' high.
2. All wood in contact with ground shall be pressure treated Douglas Fir or Redwood.
3. All headers above opening shall be a minimum of 4 inches by minimum of 1 inch wide per every foot of opening (i.e., 4 feet opening shall be 4 x 4, 6 feet opening to be 4 x 6, etc.).
4. Plywood siding and roof sheathing shall be 1/2" thick minimum. Grade shall be exterior grade CDX or better; edges of plywood shall be trimmed.
5. All nailing shall be per table No. 25-Q or U.B.C.
6. Lumber sizes: ceiling and rafter joists shall be minimum
2 x 4 @ 24" O.C., studs shall be minimum of
2 x 4 @ 24" O.C.
7. All structural connections without plywood sheathing shall be fastened with aid of metal connectors.
8. There shall be no overhang obstructions for at least 80 inches above walking surface.
9. Building shall not have any protruding objects greater than 12" maximum.
10. Counter or service opening shall be no higher than 48".

BUILDING INSTRUCTIONS

1. Lay out plywood sheets No. 1 (as shown on Fig. 1). Nail the 2 x 2's No. 6 and the 2 x 4 No. 9 to the plywood sheets No. 1.
2. Lay out plywood sheets No. 2 (as shown on Fig. 2). Nail the 2 x 2's No. 6 and the 2 x 4 No. 10 to the plywood sheets No. 2.
3. Lay out plywood sheets No. 1 and 2 (as shown on Fig. 3). Nail 2 x 2's No. 5 and No. 7 as shown. Construct the two sides (Fig. 3).
4. Connect the front (Fit. 1) to the two sides (Fig. 3).
5. Add the bracing No. 8 to the bottom corners as shown on Fig. 5.
6. Connect the top front (Fig. 2) to the two sides and connect the back brace No. 6 to the two sides. Brace the corners as shown in Fig. 4 using braces No. 8.
7. Connect shelf top and shelf bracing as shown on cover sheet.

MATERIAL LIST

- (3) 4' x 8' x 1/2" or 5/8" sheets of exterior plywood (T1-22 siding)
- (1) 1" x 12" x 8' Pine
- (1) 2" x 8" x 8' Douglas Fir
- (13) 2" x 2" x 8' Douglas Fir
- (1) 1" x 6" x 8' Douglas Fir or Pine
- (1) 2" x 4" x 8' Douglas Fir



TYPICAL BOOTH PLAN

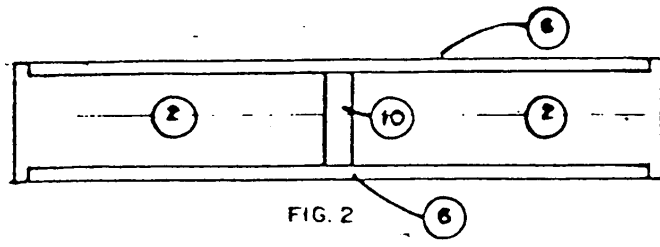


FIG. 2

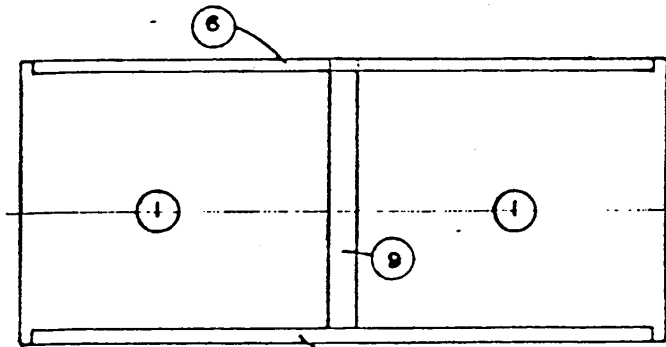


FIG. 1

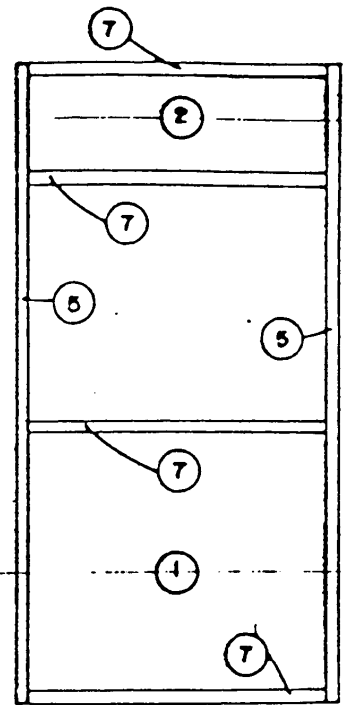
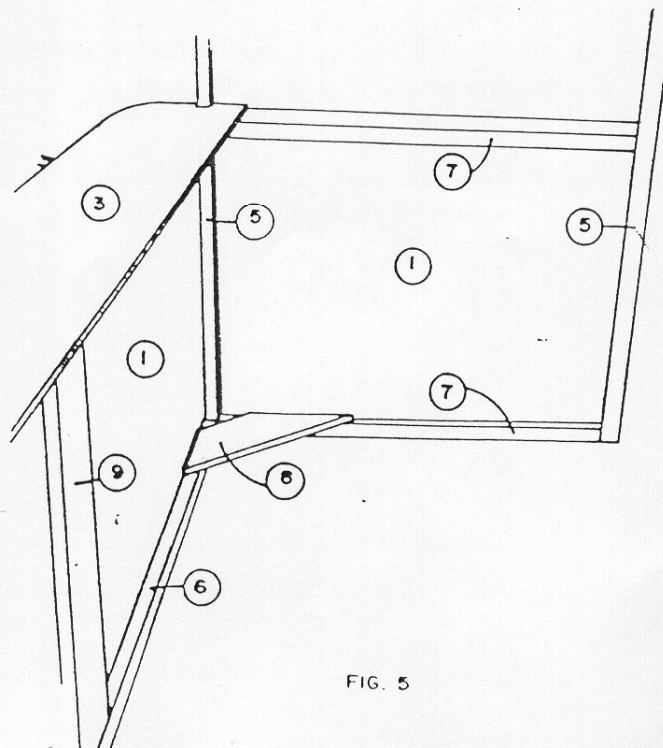
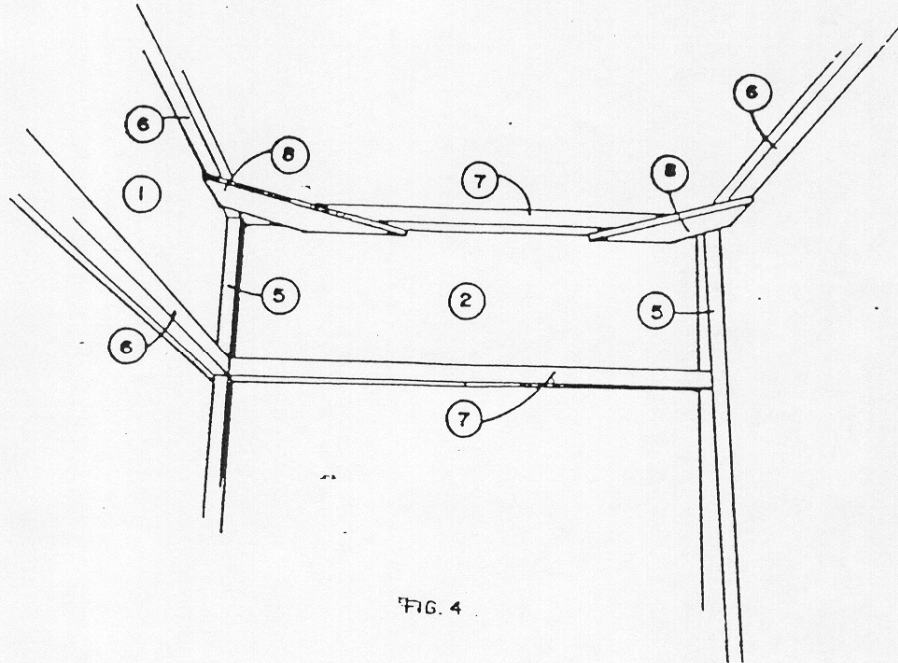
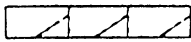
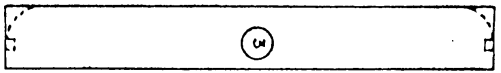
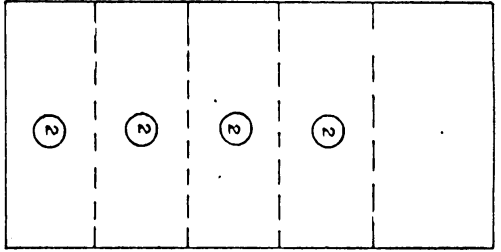
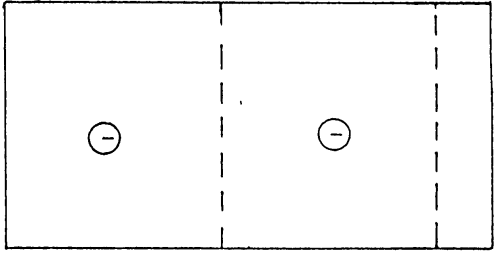


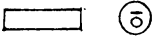
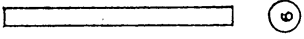
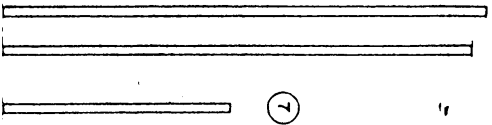
FIG. 3





5 6

8



- 1 4' x 3' 6" 4/8" PLYWOOD (T-11 SIDING)
4 REQUIRED
- 2 4' x 16" 5/8" PLYWOOD (T-11 SIDING)
4 REQUIRED
- 3 1' x 12" x 8' PINE 1 REQUIRED
- 4 2 1/2" x 3" PINE 1 REQUIRED
- 5 2' x 2 1/2" x 8' PINE 4 REQUIRED
- 6 2 1/2" x 2 1/2" x 35" PINE 5 REQUIRED
- 7 2' x 2 1/2" x 45" PINE 25 REQUIRED
- 8 1 1/2" x 6" x 8' PINE 1 REQUIRED
- 9 2 1/2" x 3" x 45" PINE 1 REQUIRED
- 10 2 1/2" x 4" x 15" PINE 1 REQUIRED